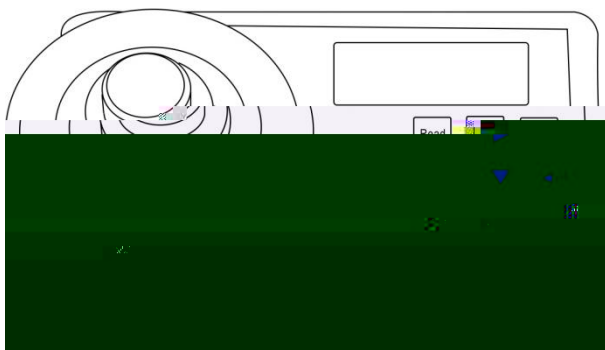




V3.40-20201127



1	- 2 -
2	- 3 -
3	- 5 -
4	- 6 -
5	- 7 -
6	- 8 -
7	- 9 -
8	- 9 -

1

1.1

MP218

-
-
-
-
-
-
-
-
-
-
-

3

SD

EXEL WORD

1.2

-
-
-
-
-
-
-
-
-
-
-

LED

420nm 610nm

LCD

SD (FAT32) EXCEL/WORD

16mm

AA 2 DC3V/1A

mm 190x96x103

(kg) 0.5

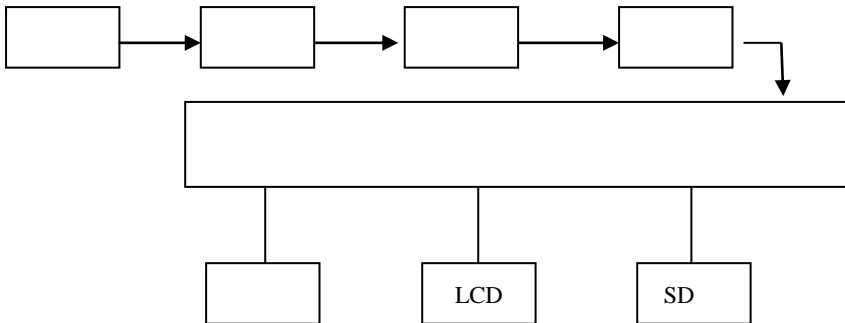
5 40

85%

1.4

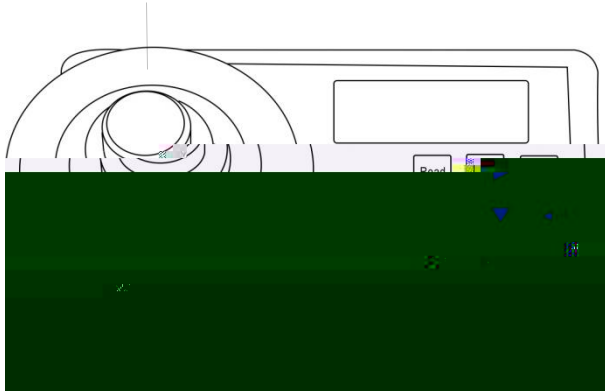
COD _{cr}	LR: 10	150mg/L
	HR: 100	1500mg/L
	HR+: 200	15000mg/L
NH ₃ -N	LR: 0	2.5mg/L
	HR: 0	50.0mg/L
PO ₄ ³⁻	LR: 0	3.5mg/L
	HR: 1	100mg/L
N	LR: 0	25mg/L
	HR: 2	150mg/L
NO ₃ -N	HR: 0	30mg/L

2



1

2.1



2

SD

2.2

		SD
	-	/
		/
	-	/
		/

3

3.1

SD 2 5

3.2

Exit → → ↓

3.3

↓ 2 → → ←

3.4

↓ 3 → ↓ on/off ←

3.5

↓ 4 → ↓ on/off ←

" ") Read

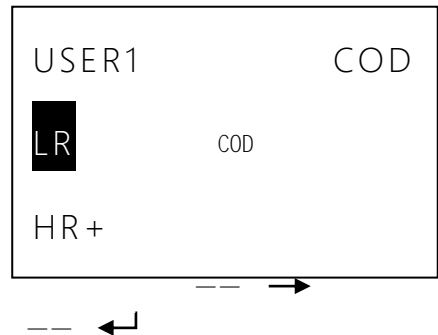
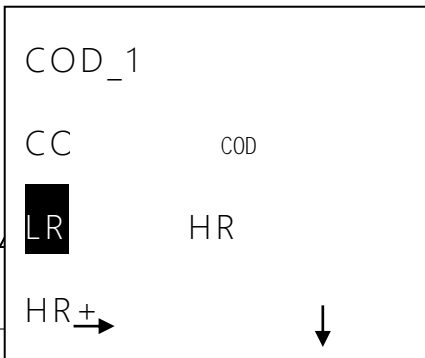
Read

Del /Az

4

4.1

COD	
NH3N	
TN	N
TP	PO ₄ ³⁻
NO3N	N
COD_1 NH3N_1 TN_1 TP_1 NO3N_1	
COD_2/3 NH3N_2/3 TN_2/3 TP_2/3 NO3N_2/3	
USER1/2/3	



3)

/

	1
	2

4)

2-9

5)



6)



" 3 "

7)



8)

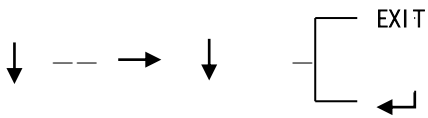


6

1)

2)

3)



7

1	MP218	1
2		1
3	/	1
4	SD	1
5	AA	2
6		1
7		1

8

8.1

1)

2)

3) SD

4) SD PC

5)

6)

7)

8) Battery low

9) 5



168 B 502

0512-65733561

0512-65733562

www.harveson.com.cn